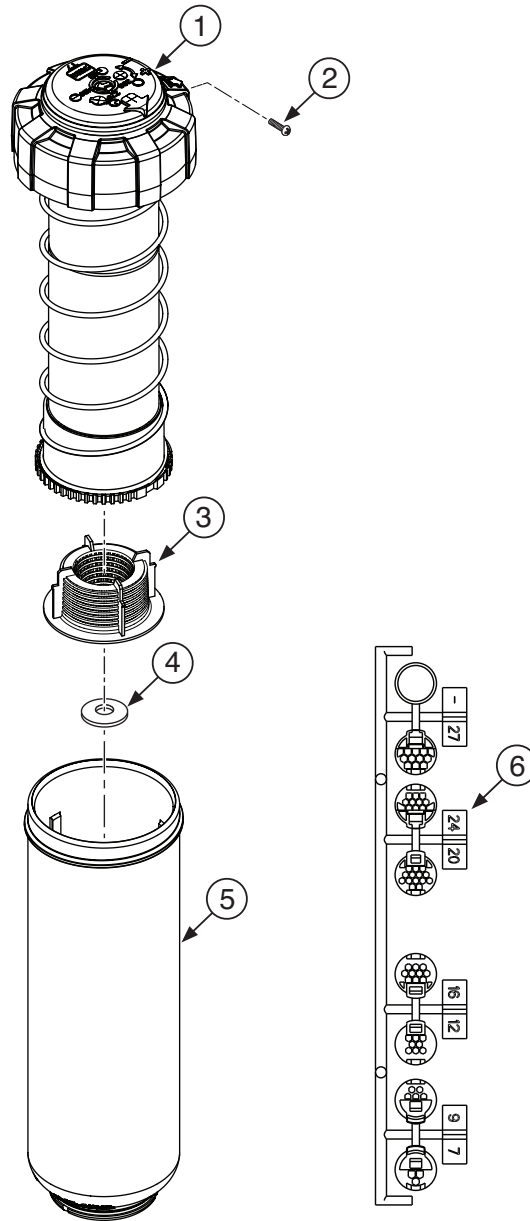


# T7 Sprinklers



Item No.	Part No.	Description	Quantity Per Assy.
1	118-0999	Riser Assembly, T7P (Includes Items 3 & 4)	1
1	118-1001	Riser Assembly, T7P, Stainless (Includes Items 3 & 4)	1
2	102-2406	Screw, Cap Lock, 4-24 x 1/4	1
3	102-3857	Screen	1
4	89-9183	Check Valve	1
5	102-4465	Body Assembly, 1", NPT	1
5	102-3851	Body Assembly, 1", BSP	1
6	*102-2633	Nozzle Tree, Stamped	1
	102-7194	<b>SERVICE TOOLS</b> Adjustment Tool Assembly	
		* Order Through Finished Goods Distribution System – Minneapolis	